



PUL-LITE PLUS

For patient safety

SMART MOBILE STORAGE SYSTEM WITH UNIT DOSE GROUPING

Equipment designed to store unit doses of medication and group them according to medical prescription. With an integrated software system for its serialization that complies with the traceability requirements of pharmaceutical products.

This equipment has 24 transparent drawers that allow the storage of unit doses previously elaborated with the PUL-ONE module, guaranteeing precise control of stock and production. The drawers have a double security system that commands their opening and guarantees access only to prescribed medication.



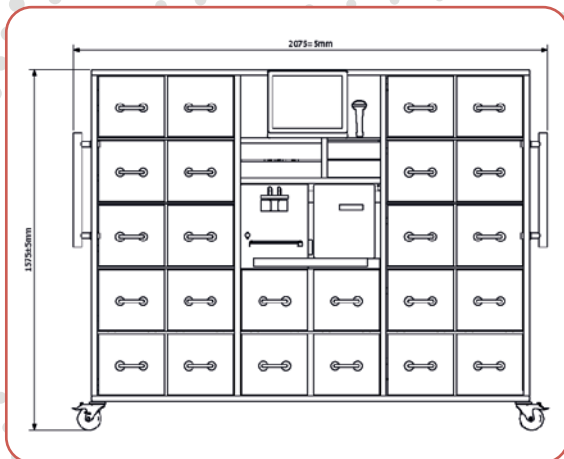
The system incorporates **Level II Traceability** and groups the unit doses that make up a prescription in packs, identifying them with a new serialization code.

Necessary technology to improve the safety of high-risk medications.

EQUIPMENT FEATURES

- Durability; stainless steel structure.
- 6mm polycarbonate drawers.
- Compact, configurable, and expandable design.
- Inventory control and detailed tracking for each medicine.
- Quality according to national and international guidelines.
- Total traceability from the pharmacy to the patient.
- Adjustments allowed by operator-friendly 15" touch panel.
- Product made in Argentina with technical support throughout the national territory.

Layout Frontal

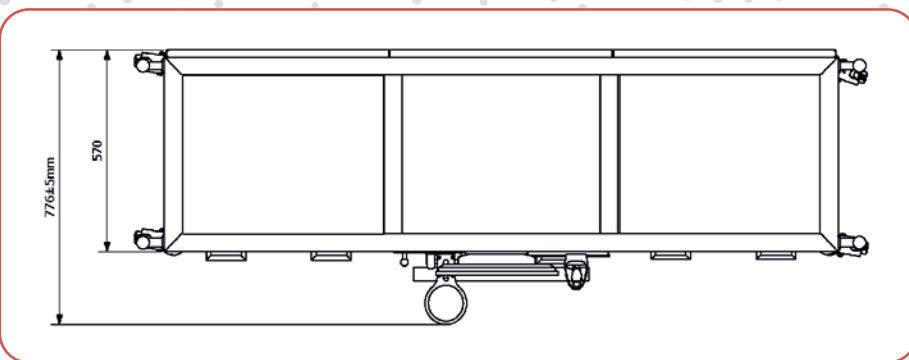


PUL-LITE Technical Specifications

Dimensions	L: 1915 mm W: 600 mm H: 1575 mm	
Hand-working height	1000 mm.	
Approximate weight	200 kg.	
Voltage	220V + T /50Hz	
Installed power	1 KVA	
Noise level	n/a	
Production capacity	n/a	
DRAWER	Capacity	250 single doses*
	Height	265 mm.
	Length	290 mm.
	Width	495 mm.
Printer	Industrial	
Admissible Label Size	25.4 - 114 mm (width) / L.max. 991 mm	

*The number of single doses that fit into each drawer will depend on the type of medicine it contains and the dimensions of its packaging.

Layout Top



Exclusive distributor

Esteban Gelblung

✉ estebangelblung@gmail.com 📞 +54 9261 3744975

📍 Mendoza - Argentina